

Retractable – High Cleaning Impact with minimum liquid consumption

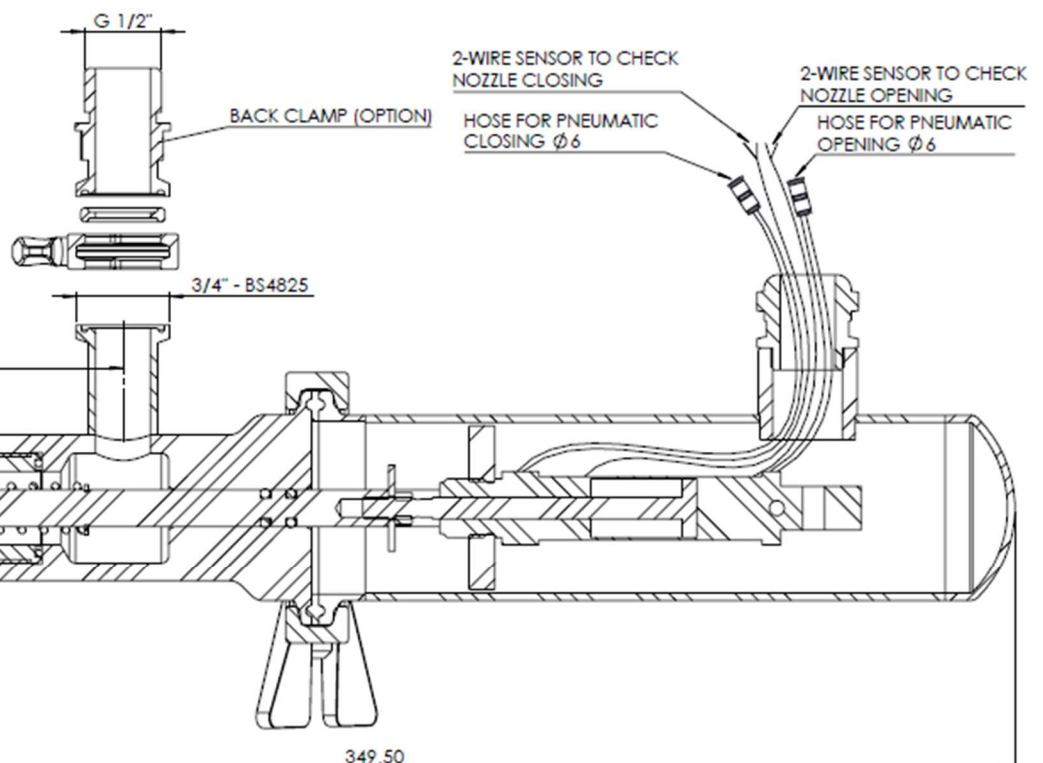
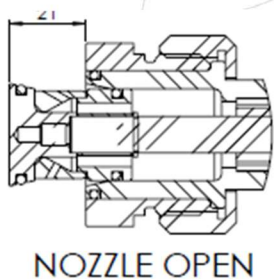
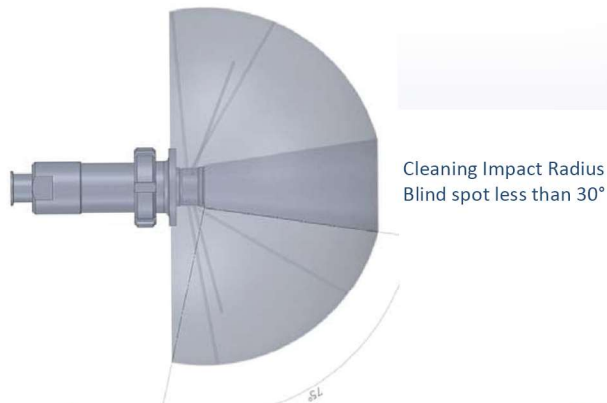
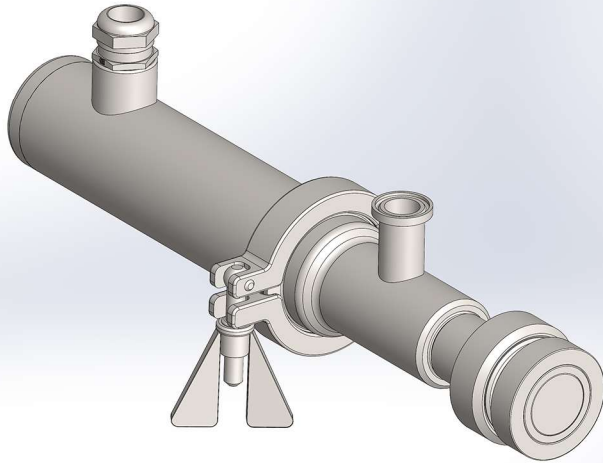
CMT CIP Nozzle – Series CMT LF PA

The CMT LF PA CIP nozzle is a high impact cleaning nozzle in sanitary design and with a minimum of cleaning liquid consumption.

This makes this nozzle a valuable alternative to the standard static spray balls and commonly used retractable CIP nozzles with a much higher necessary operational liquid flow rates.

CMT LF PA CIP main features:

- Open and close by the liquid pressure and a pneumatic cylinder
- Self lubricating with cleaning media
- Active impact radius 1.8 meters
- Wetting radius 4.5 meters
- Blind spot less than 30°
- Standard material AISI 316L
- Weld directly into the vessel or duct and flush with the adjacent areas
- Pneumatic cylinder equipped with position sensor
- Material certificates 2.2 or 3.1 available



TECHNICAL SPECIFICATION

Wetting radius: up to 4.5 meters
 Impact cleaning radius: up to 1.8 meters
 Spray angle: 70 – 150 °
 Max. working temperature: 120 °C
 Max. ambient temperature: 150 °C
 Weight: 2,5 kg

Materials
 Product area: AISI 316L as standard
 Spray Head: PTFE
 Non-product area: AISI 316L as standard
 Gaskets: Viton, EPDM as standard

Surface treatment
 Product contact surfaces: Ra 0.8 micron
 Non product contact parts: Ra 1.6 micron

Available certification: Material certification 2.2 or 3.1

For model CMT LF PA
 Liquid Supply pressure: 1.8 - 4 bar
 Recommended pressure: 2 bar
 Liquid flow: 1.8 m³/h @ 2 bar
 Air Press. for Pneumatic cylinder: 5-7 bar

