

Retractable – High Cleaning Impact Nozzle with minimum liquid consumption

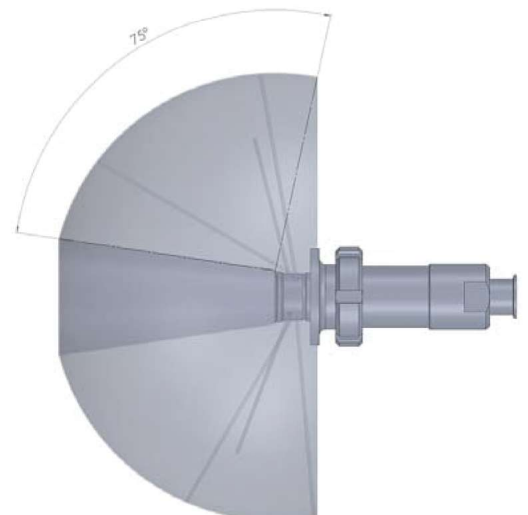
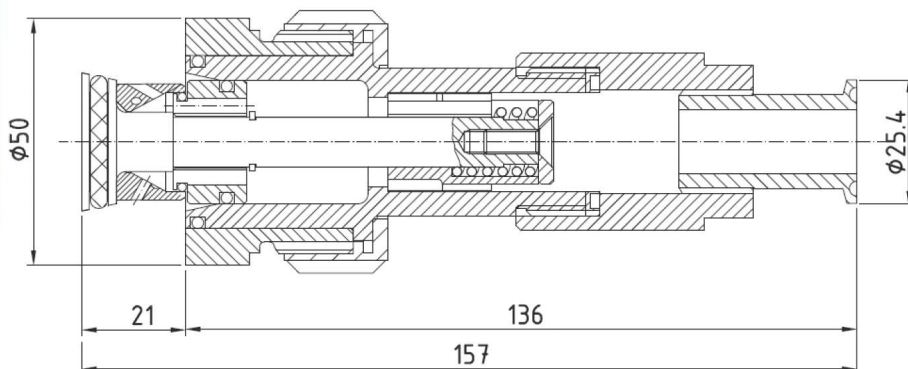
CMT CIP Nozzle – Series CMT LF ST



The CMT LF ST CIP nozzle is a high impact cleaning nozzle in sanitary design operating with minimum cleaning liquid consumption. This makes this nozzle a valuable alternative to standard static spray balls and commonly used retractable CIP nozzles with a much higher necessary operational liquid flow rate.

CMT LF ST CIP nozzle main features:

- Open and close by the liquid pressure
- Self lubricating with cleaning media
- Active impact radius 1.8 meters
- Wetting radius 4.5 meters
- Blind spot less than 30°
- Standard material AISI 316. Other materials like AISI 316L or Hastelloy are available
- Weld directly into the vessel or duct and flush with the adjacent areas
- ATEX certificate available
- Material Certificates 2.2 or 3.1 available



Cleaning Impact Radius

Blind spot less than 30°

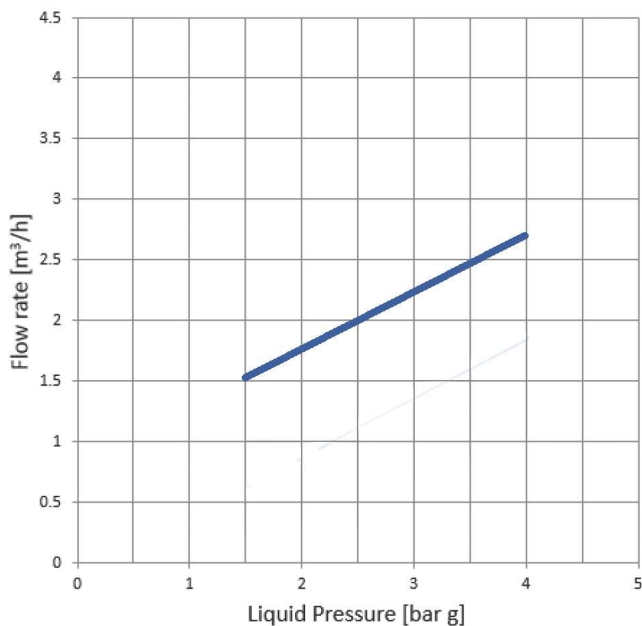
TECHNICAL SPECIFICATION CMT LF

Wetting radius:	up to 4.5 meters	
Impact cleaning radius:	up to 1.8 meters	
Spray angle:	75 – 150 °	
Max. working temperature:	120 °C	
Max. ambient temperature:	150 °C	
Weight:	1 kg	
Materials	Product area:	AISI 316 as standard
	Spray Head:	PTFE
	Non-product area:	AISI 316 as standard
	Gaskets:	Viton EPDM as standard
Surface treatment	Product contact surfaces:	Ra 0.8 micron
	Non product contact parts:	Ra 1.6 micron
Available Certification:	Material certification 2.2 or 3.1 or ATEX	

For model CMT LF ST CIP nozzle with liquid pressure activation

Liquid Supply pressure:	1.5 - 4 bar
Recommended pressure:	2 bar
Liquid flow:	1.8 m <sup>3</sup> /h @ 1.5 bar

**CMT CIP Nozzle LF**  
**Flow rate vs. Liquid Pressure**



**CMT CIP Nozzle LF**  
**Cleaning radius vs. Liquid Pressure**

